

ENVIROLINE® SERIES JUNCTION ENCLOSURES WITH VIEWING WINDOW

Application

Designed to house electrical controls, instruments and components that require unrestricted viewing of the gauges or controls, in areas which may be regularly hosed down or are in very wet or oily conditions. Provides protection from dust, dirt, oil, and water. For installation information, consult our installation manual at www.saginawcontrol.com.

Construction

- 0.063" carbon steel.
- Seams continuously welded and ground smooth.
- Flange trough collar around all sides of door opening.
- Pour in place oil and water resistant gasket.
- Standoffs provided for mounting optional subpanels.
- Removable hinge.
- Doors open 180 degrees.
- Black mini quarter turn latches.
- Latches are opened or closed with a screwdriver.
- Sealing washers and hole plugs included.
- Ground stud on door & body.
- Mounting feet included.
- 0.25" Polycarbonate viewing window

Finish

ANSI-61 gray powder coated inside and out.
Optional subpanels powder coated white.

Notes

Recommend use as Type 3R rating in full outdoor exposure and extreme weather environments.

For more details see *Design Considerations* on our website.

IS4 Industry Standards

NEMA Type 3R, 4, 12 & Type 13
UL Listed Type 3R, 4 & 12
CSA Type 3R, 4 & 12
IEC 60529 IP66

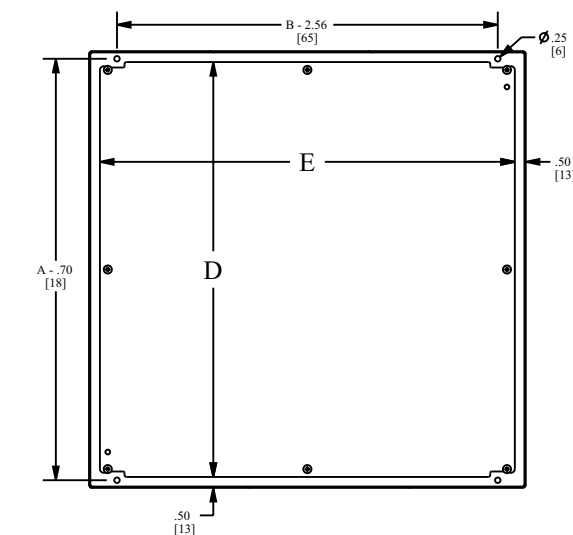
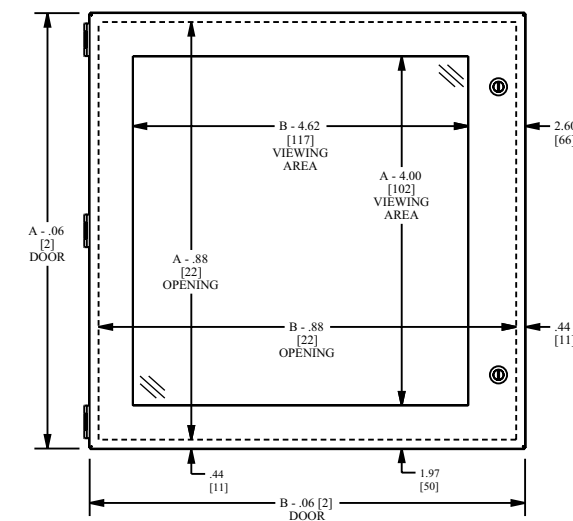
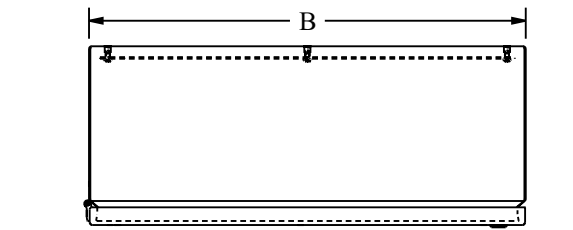
***To maintain Type 3R listing, drainage is required. Install equally rated drainage device or drill a 1/8 to 1/4 inch hole in the bottom center of the enclosure, approximately 1 inch from the right, and 1 inch from the left for drainage, use listed rain-tight or wet location hubs. Drip shield over the door is recommended for all outdoor applications.

Enclosure Product Code E1

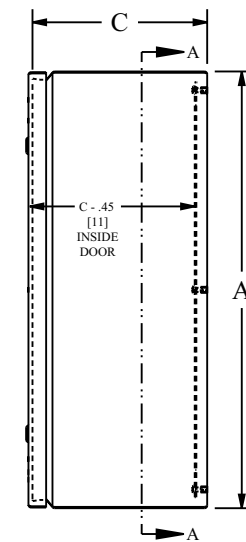
Catalog No.	Height (A)	Width (B)	Depth (C)	Window Viewing Size	Industry Standard	Catalog No.	Panel Height (D)	Panel Width (E)
SCE-1008ELJW	10.00	8.00	4.00	6.00 x 3.375	IS4	SCE-10P8	9.00	7.00
SCE-10086ELJW	10.00	8.00	6.00	6.00 x 3.375	IS4	SCE-10P8	9.00	7.00
SCE-1210ELJW	12.00	10.00	6.00	8.00 x 5.375	IS4	SCE-12P10	11.00	9.00
SCE-12108ELJW	12.00	10.00	8.00	8.00 x 5.375	IS4	SCE-12P10	11.00	9.00
SCE-1614ELJW	16.00	14.00	6.00	12.00 x 9.375	IS4	SCE-16P14	15.00	13.00
SCE-16148ELJW	16.00	14.00	8.00	12.00 x 9.375	IS4	SCE-16P14	15.00	13.00
SCE-20208ELJW	20.00	20.00	8.00	16.00 x 15.375	IS4	SCE-20P20J	19.00	19.00



ENVIROLINE® SERIES JUNCTION ENCLOSURES WITH VIEWING WINDOW TECHNICAL DATA



SECTION A-A



LATCH NOTES:
One latch centered on the door vertically if height is ≤ 14.00 [356]
Two latches located 3.00 [76] from top & bottom of door if height is > 14.00 [356]